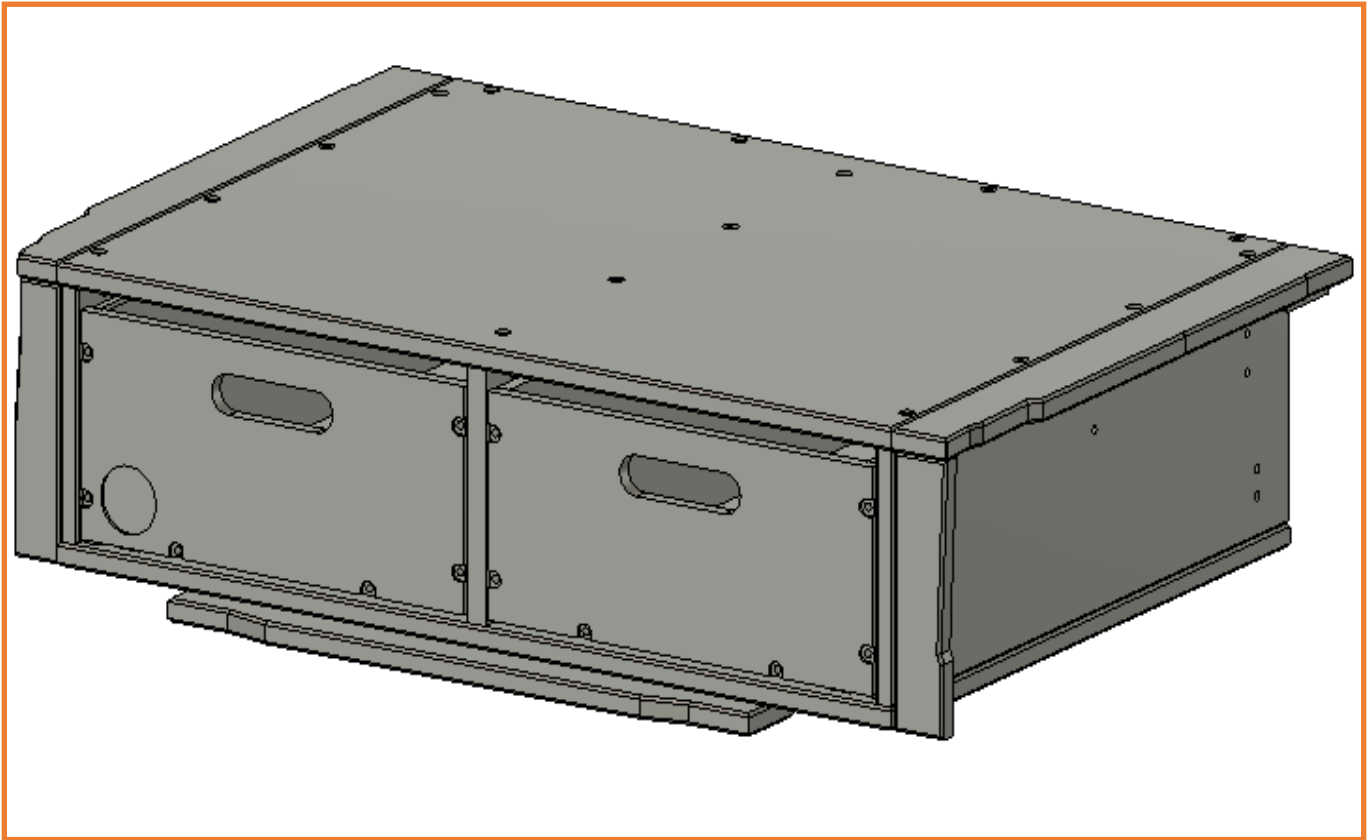
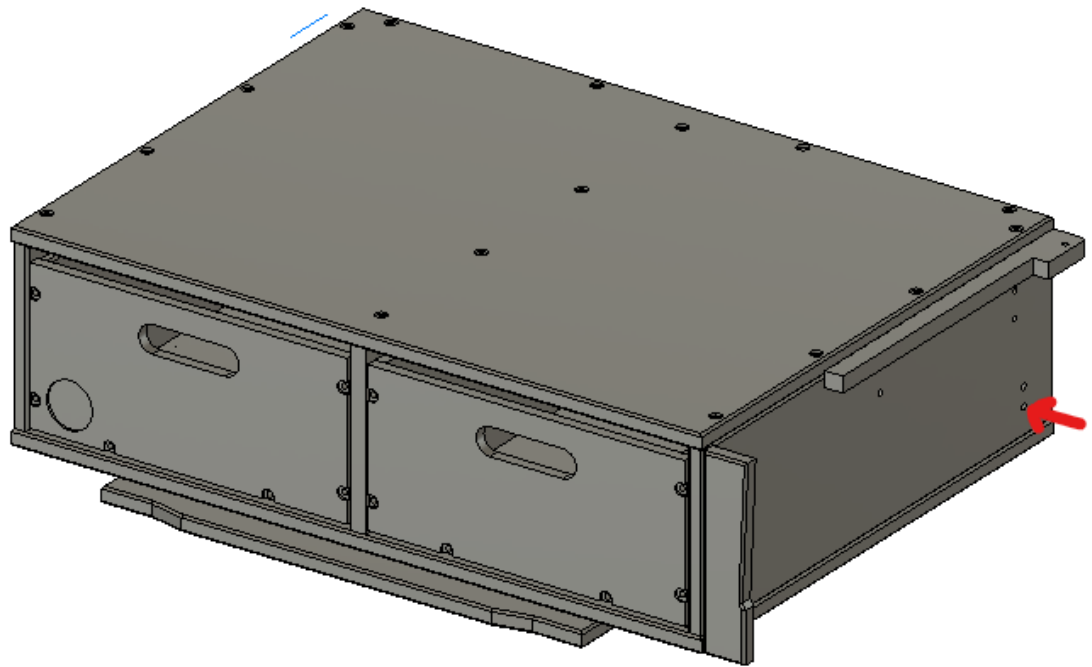


SHW OFFROAD

## Ford Bronco Ultralite Drawer System Install



1. Begin by removing the factory tie downs.
2. **Optional:** Take a blade to the factory carpet hinge at the storage cover. This will allow access to the area without having to remove the drawer system. Cut through the carpet to remove the compartment lid/cover.
3. **Optional:** Drill out the tailgate side factory plastic tie down covers so that the anchoring bolts can be installed through them. This step retains a slightly more factory look.
4. Install the passenger Front filler panel as well as the passenger wing support and bottom filler (bottom filler only installed if Optional step #2 was taken). Install the 2 threaded inserts into the bottom hole at the back of the box, make sure to install these inserts from the inside



5. Before putting sliding the drawer system into the bronco, bolt the Included L brackets down to the rear factory tie down locations with the short side of the L down and the tall side up. Push them in toward the center as much as possible before tightening the bolt. The brackets will be slightly larger than the drawer system, this is intended to make it easier to install/uninstall the drawer system.
6. Slide the drawer system into the vehicle. Center the drawer system in the vehicle using the wings to position the unit.

7. Install the remaining filler panel and wing support on the driver side.
8. Install the included bolts through the bolt holes in the drawer system and into the factory threaded holes where the factory tie downs were installed. The drawers will have to be removed from the drawer chassis to complete this step.
9. Install 1 ¼-20 thumb bolt with fender washer through the L bracket and into the threaded insert from the previous step.
10. Lay the wings in place!

