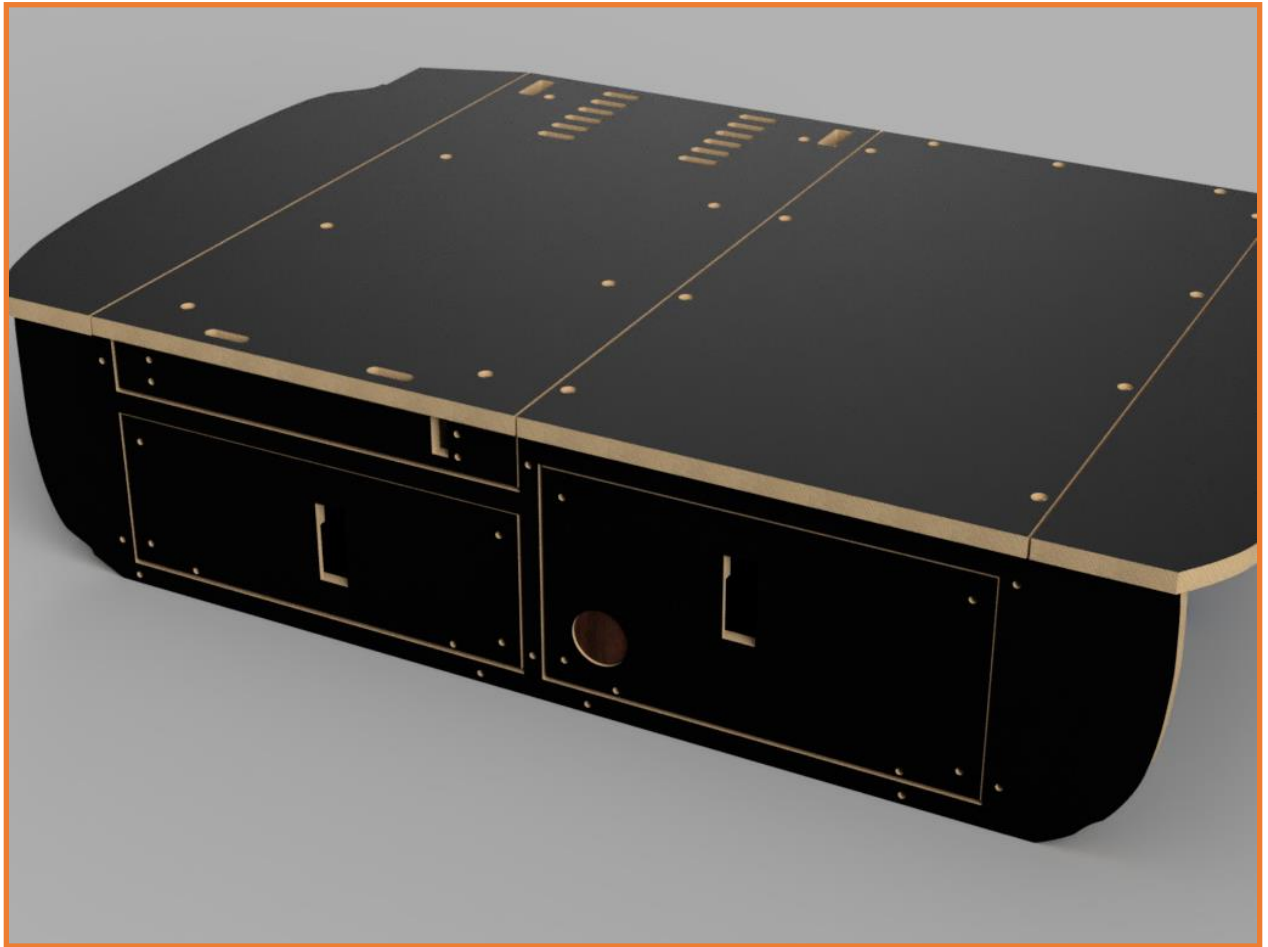


SHW OFFROAD

Expedition V2 Assembly Process

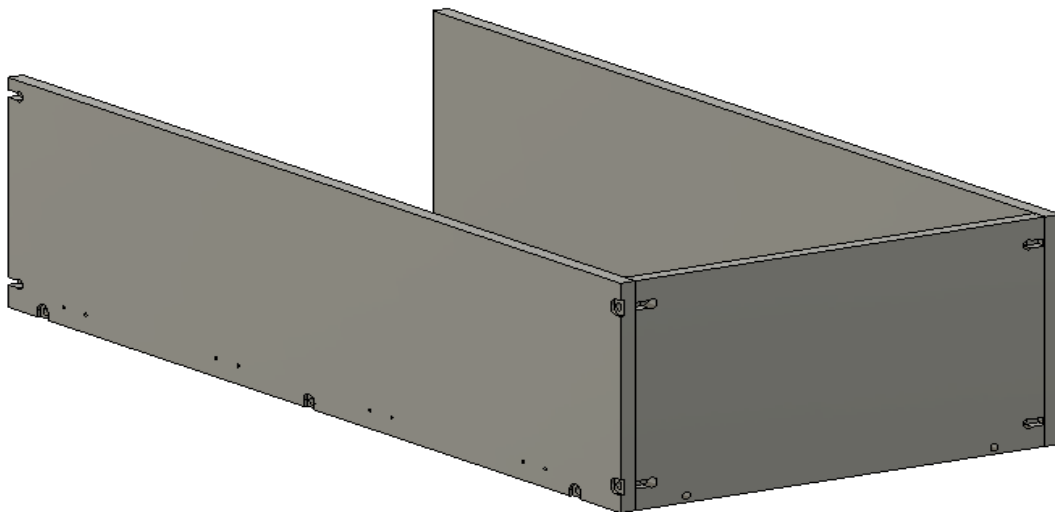
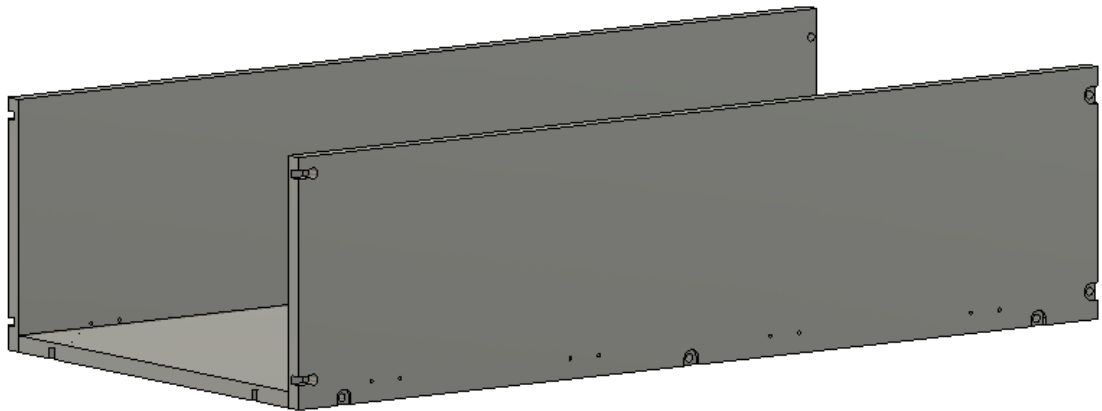


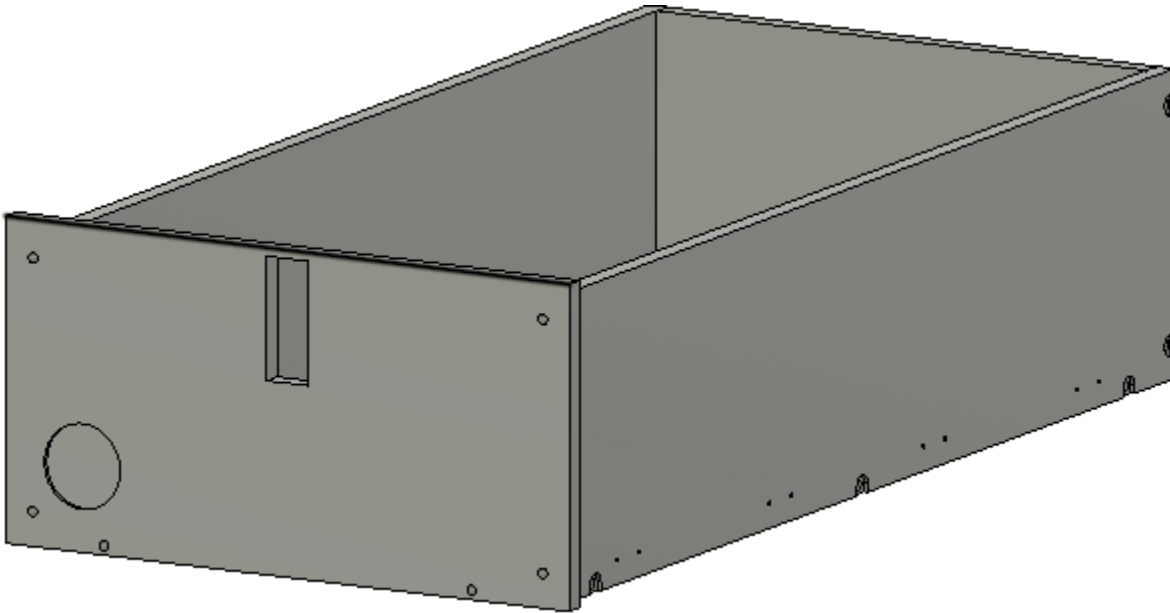
MATERIALS LIST

QTY	ITEM	Description/Notes
1	Bottom Panel	
1	Top Panel	
1	Face Frame	
1	Tilting Fridge Assembly	
1	Tall Drawer Cabinet Side	Goes on the Chassis Driver Side
1	Fridge Cabinet Side	Goes on the Chassis Passenger Side
1	Center Panel	Only Goes On One Way
1	Back Panel	Place row of holes towards the top of drawer system
2	Drawer Bottoms	(1 Short Drawer and 1 Tall Drawer) Keyholes face down
2	Right Drawer Sides	(1 Short Drawer and 1 Tall Drawer)
2	Left Drawer Sides	(1 Short Drawer and 1 Tall Drawer)
2	Drawer Fronts	(1 Short Drawer and 1 Tall Drawer)
2	Drawer Backs	(1 Short Drawer and 1 Tall Drawer)
2	Wing Panels	*Depending on the make/model
2	Wings	*Depending on the make/model
2	Wing Supports	*Depending on the make/model
1 or 2	Spacers	*Depending on the make/model

***Important Note: Do not over-tighten fasteners. They only need to be snug. Only use hand tools.**

1. Begin by Assembling the Drawers. Insert the Barrel Nuts into the keyholes with the slot facing out. Align the slot with the keyhole. Bolt the sides onto the drawer bottom being mindful to keep the keyholes on the bottom down and the keyholes on the sides out. Then install the back and the front. Again, making sure the keyholes on the back face out.

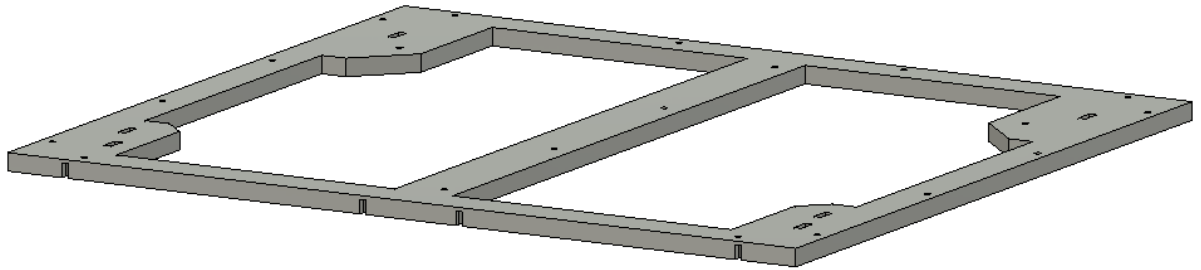




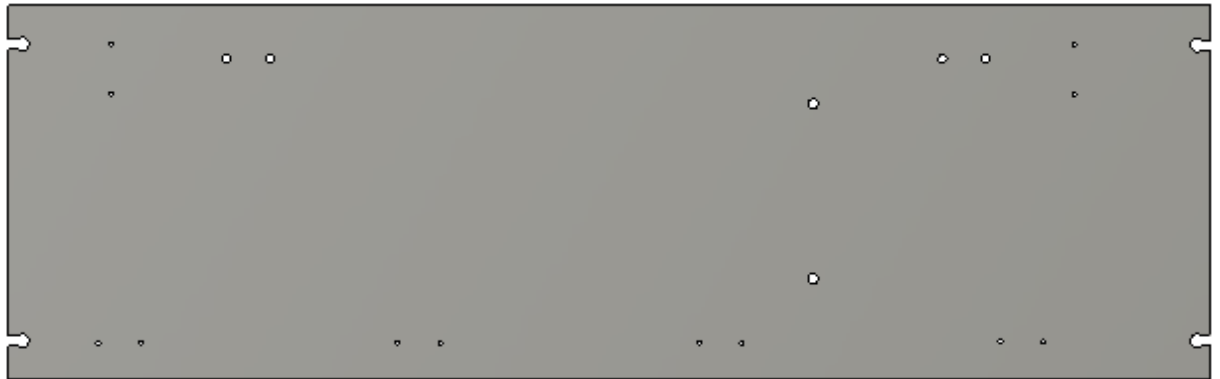
2. Once both drawers are assembled, it is time to install the drawer slides. Depending on your model, all of the holes on the side may not line up, but it is important to line up the two holes nearest the drawer front with the first two holes on the drawer slide.
 - a. Separate the slides into 2 halves (make sure not to mix and match halves, keep the R and L sides separated). Separate them by pushing and holding the blue tab down while pulling apart.
 - b. Attache the pieces with the blue tab onto the respective R or L side of the drawer making sure to line up the two front holes as mentioned above using the provided $\frac{1}{2}$ " screws. Be careful on the first screw not to interfere with the mechanism of the slide. Make sure to push the tab down and ensure that it is working properly after this screw is installed. You can then put screws anywhere else that the predrilled holes align. After all the pre drilled holes are filled you can then install the remaining screws.

***For Each Step install barrel nuts as needed like done in the previous step.**

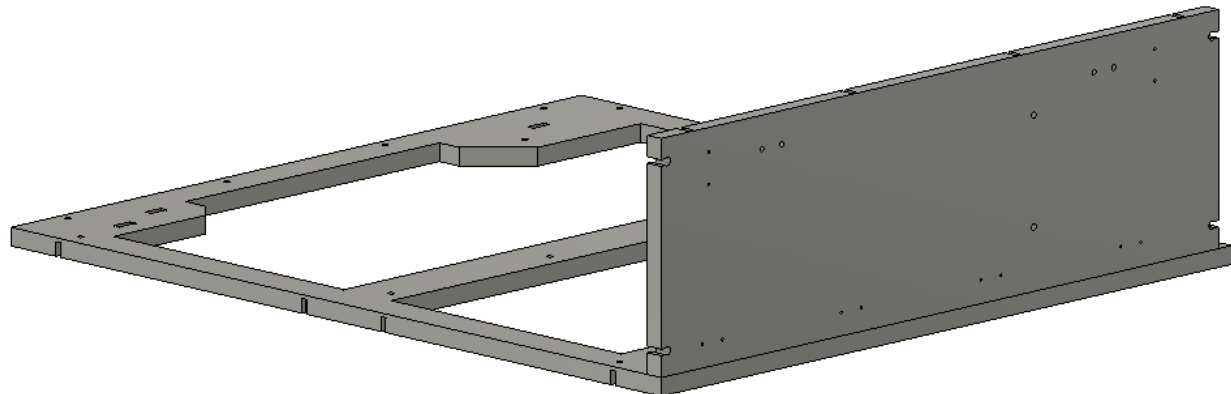
3. Identify the bottom panel. One edge will have keyholes. This will be the front edge. When installed the bottom panel should be placed with these keyholes down. Bottom panel may be shaped differently depending on model.



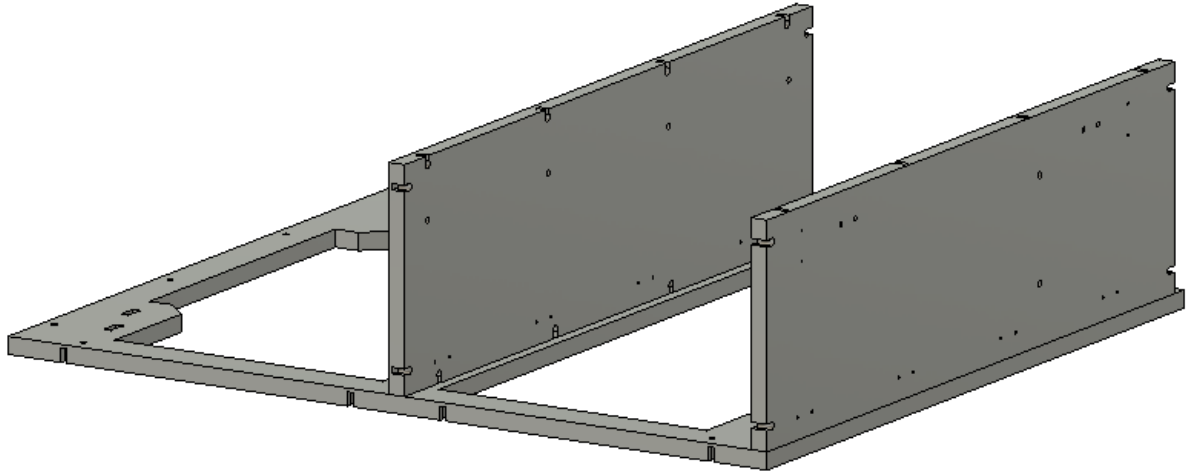
4. Next you will begin installing the Tall Drawer Cabinet Side. This will be opposite of what side you ordered your fridge on. These instructions will show a driver side fridge, if you have a passenger side fridge, your installation will be mirrored.
 - a. Identify the top and bottom. The bottom will have small predrilled holes for the drawer slides that look just like the holes that were on the drawers. These will be the bottom. The Keyholes will face INSIDE the cabinet.



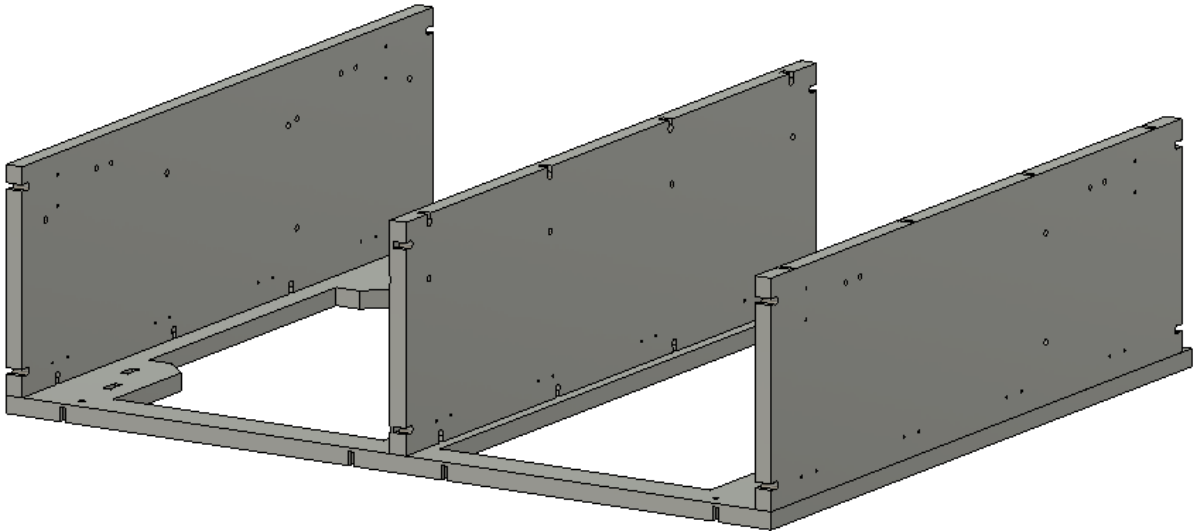
- b. Bolt on the Tall Drawer Cabinet side from the bottom, keeping the keyholes in the bottom panel facing down and the keyholes on the side facing in.



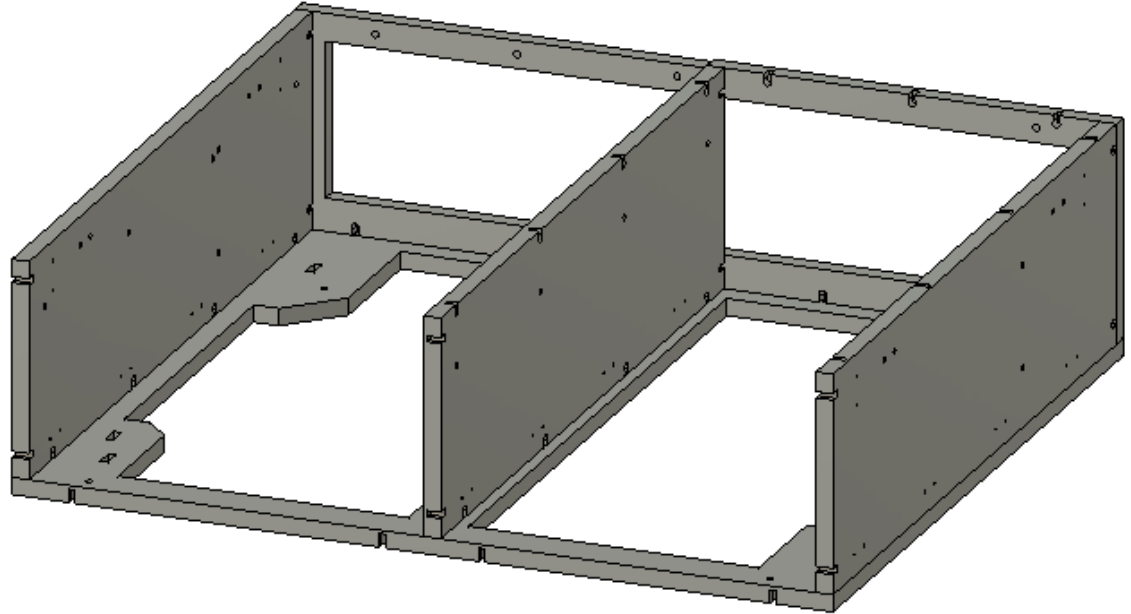
5. Install the center panel. The center panel should be slightly taller than the Fridge Cabinet Side. Bolt the Center panel on with the drawer slide holes near the bottom panel and the keyholes facing toward the Tall Drawer Cabinet side.



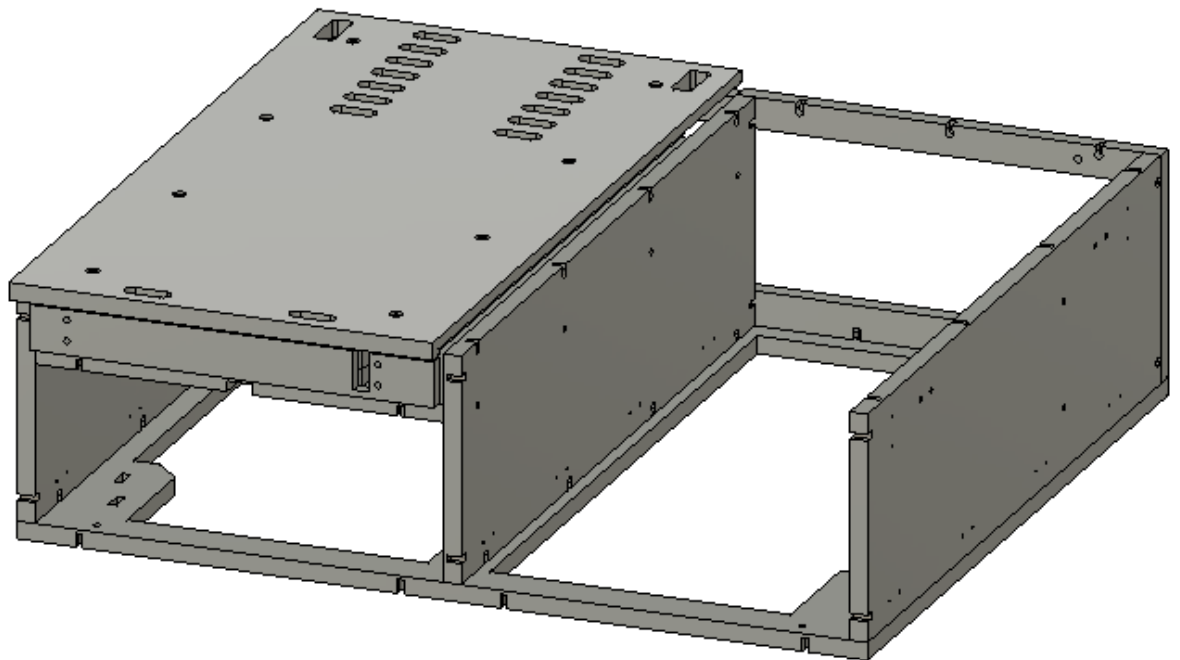
6. Install the Fridge Cabinet Side. Bolt the Fridge Cabinet Side with the holes for the drawer side near the bottom panel and the keyholes facing toward the tall drawer cabinet side.



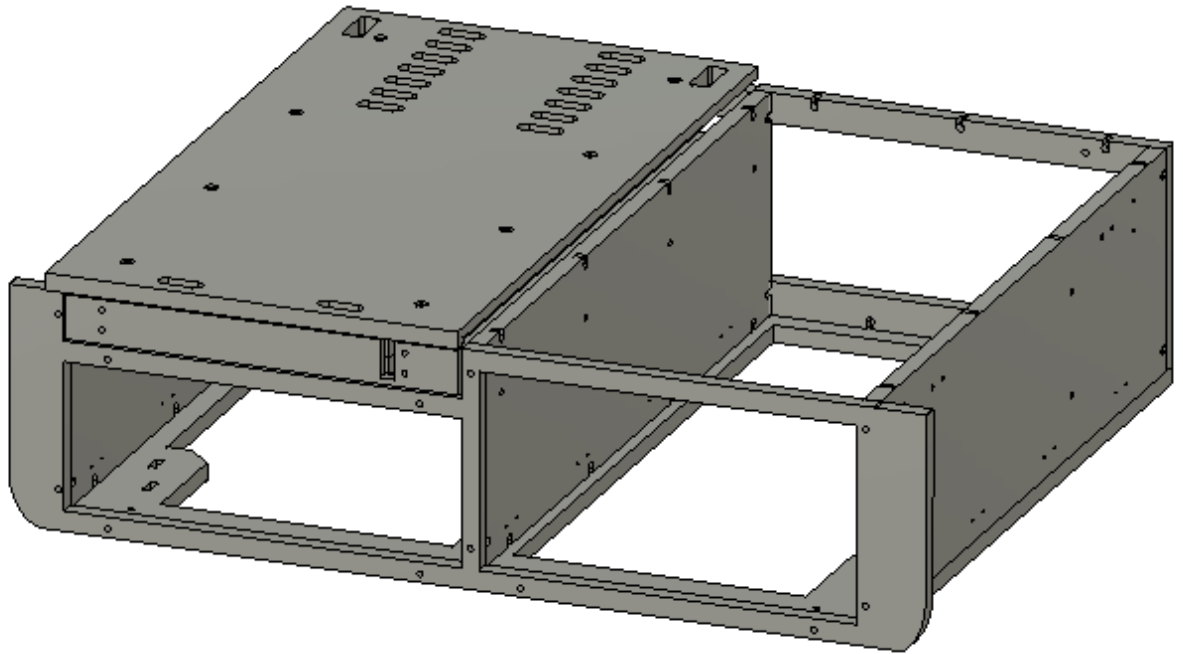
7. Bolt in the back panell with the straight side against the bottom panel and with the lower side of the top on the fridge side. (in this case, the driver side)



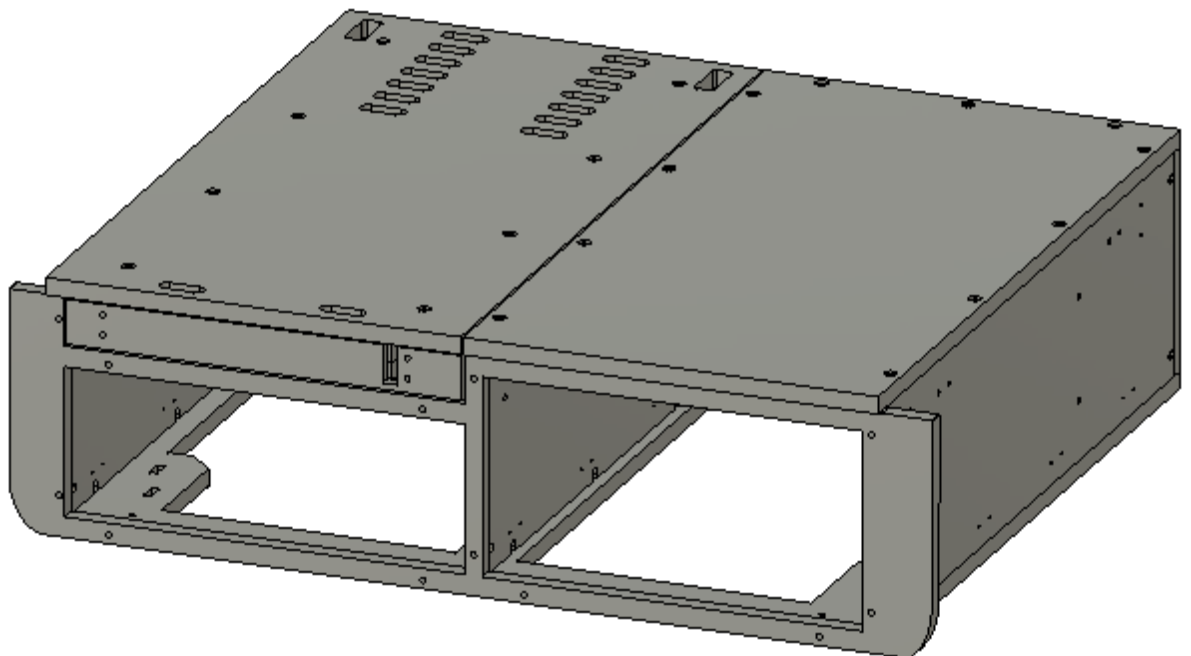
8. Install the Drawer Slide outer pieces to the cabinets using the $\frac{1}{2}$ " screws (make sure to put the L and R sides on their respective sides). Like in step 2 make sure to line up the front holes first. In the center panel, you will have to use the even holes on one side and the odd holes on the other side of the panel so that the screws do not interfere with one another.
9. Install the Tilting Fridge Assembly. It is best to have two people for this step.



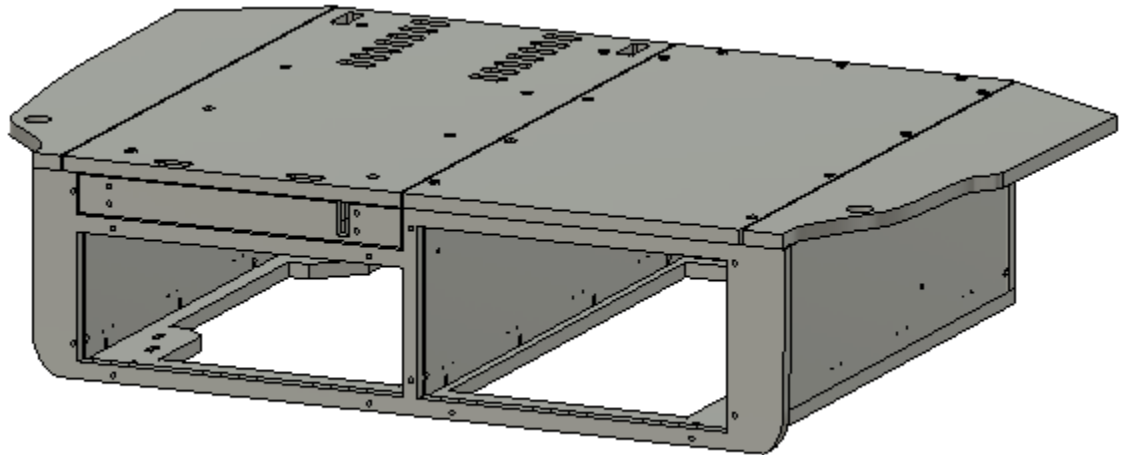
10. Bolt on the Face Frame.



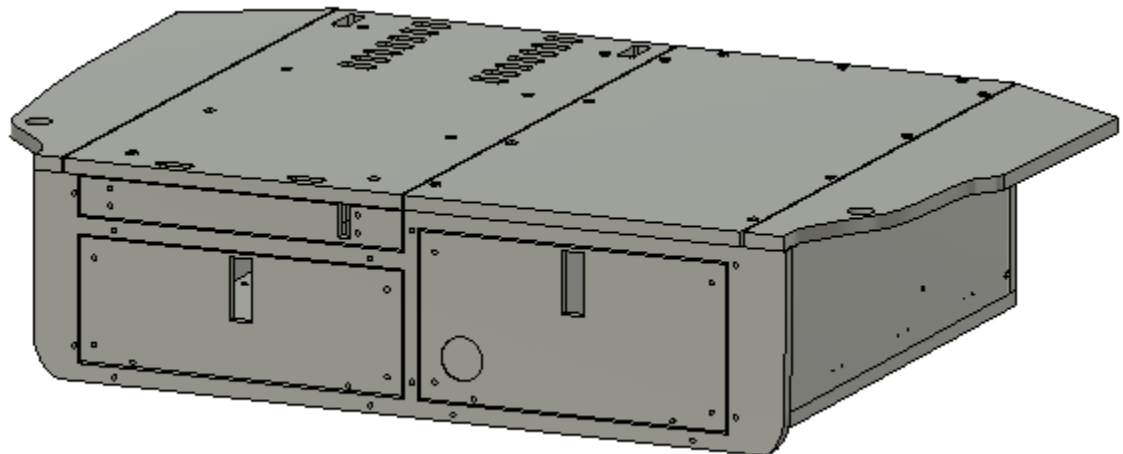
11. Bolt on the Top Panel



12. If your model has hinged wings, attach the wings using the 8-3/4" Screws into the pre drilled holes.



13. Slide the drawer into the system. Begin by extending the slides from the cabinet until they lock into place. There is a small bearing pack that can slide back and forth inside the slide. Pull it to the front as well. Align the slides of the drawer into the slides of the cabinet making sure the drawer side slides are inside the bearing pack before pushing closed. (failure to make sure the slide is inside the bearing pack will cause damage to your slides and this will not be covered under warranty)



14. Install the locking handles using the provided hardware. When latched, push the drawer from behind to see if there is any "play" in the drawer. If so, adjust the bolt on the latch until there is no play in the drawer.
15. Check to make sure all your gaps around the drawer fronts are even. If not you can loosen the screws on the face frame and/or drawer fronts and move them until there are even gaps all the way around.

16. Install the system in your vehicle. If your model bolts directly to your system, there will be holes in the bottom panel and your drawers will have to be removed to install them. If your system ties down with straps you will need to install the provided Drings into the pre drilled holes of the system and you will use the provided straps to tied down to the factory tie down points.