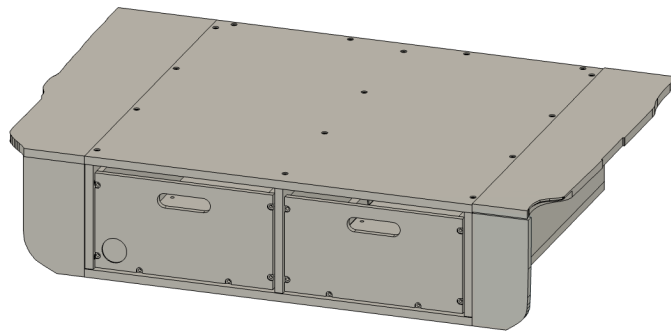
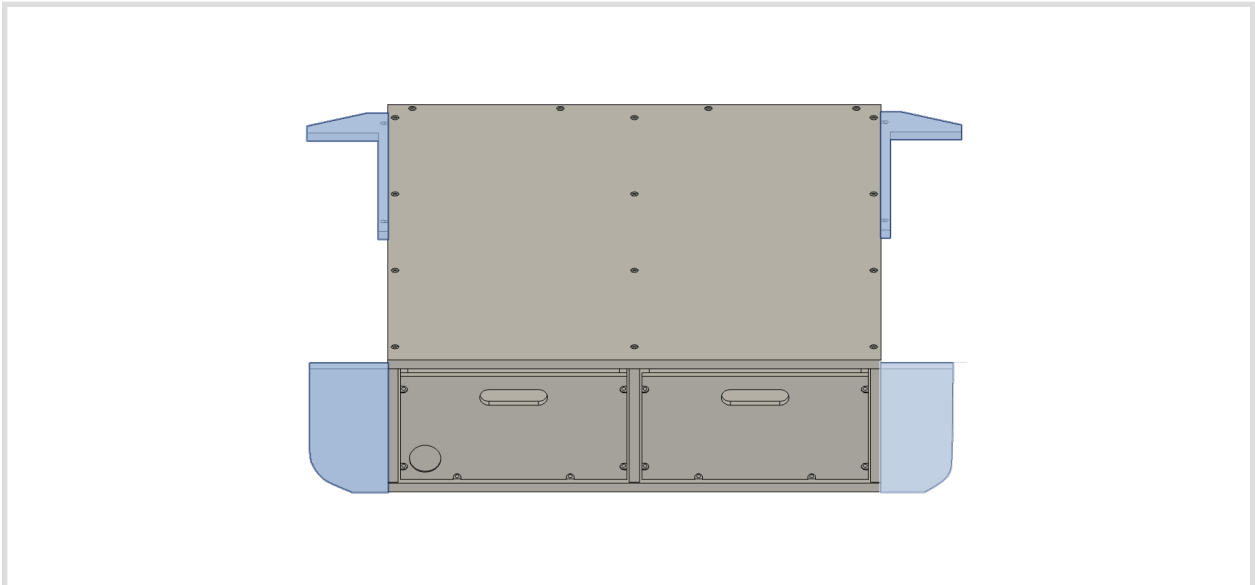


SHW OFFROAD

## GX470 Drawer System Installation



1. Begin by removing the third row seats from the vehicle if equipped.
2. Slide the drawer system into the vehicle. Be careful with the wing cap on the driver side. Make sure the wings are in the upright position when you go to slide the system into the cargo area.
3. Install the front filler plates and wing supports. All screws are installed from the inside of the drawer system. Remove the drawers from the chassis for this step.



4. Place the bolts through the base of the system and thread them into the factory Je down holes. Torque them down, but do not over tighten. The bolts only need to be snug.

5. Install the wings.

