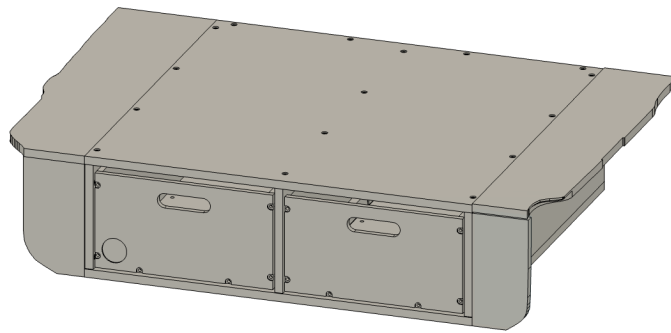
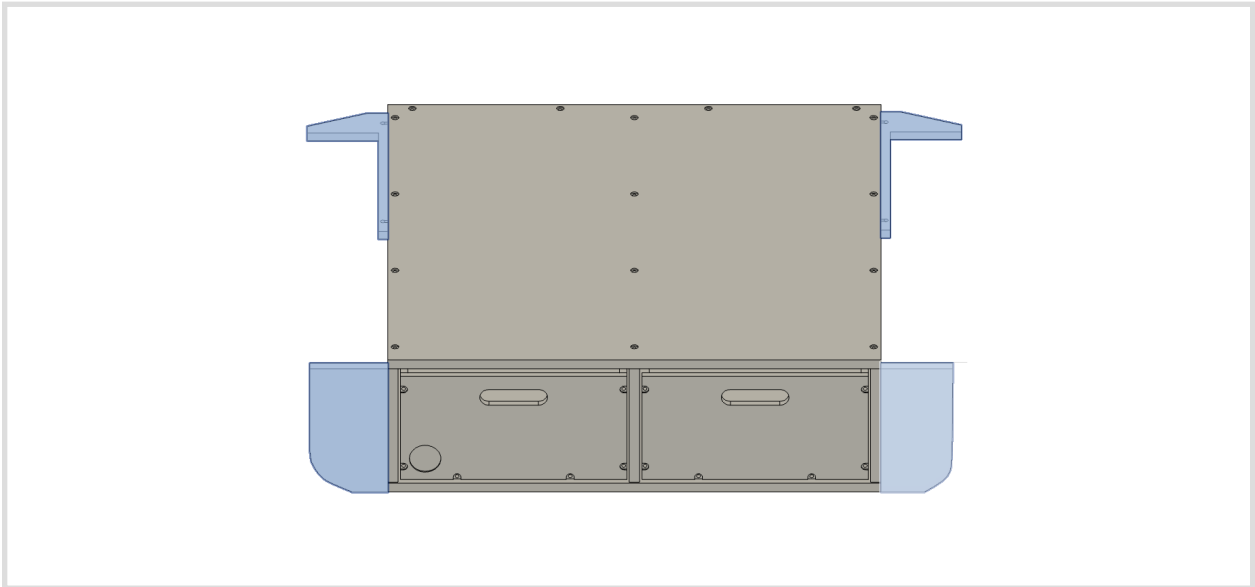


SHW OFFROAD

100 Series Landcruiser Drawer System Installation



1. Begin by removing the third row seats from the vehicle if equipped.
2. Slide the drawer system into the vehicle. Be careful with the wing cap on the driver side. Make sure the wings are in the upright position when you go to slide the system into the cargo area.
3. Install the front filler plates and wing supports. All screws are installed from the inside of the drawer system. Remove the drawers from the chassis for this step.



4. Loop the included blue cargo straps through the D Rings on the drawer system and the factory tie downs. Snug each corner one at a time, then go back and tighten them down. Once in place and tightened, cut the excess strap away and use a flame to melt the strap end to keep it from fraying.

5. Install the wings.

