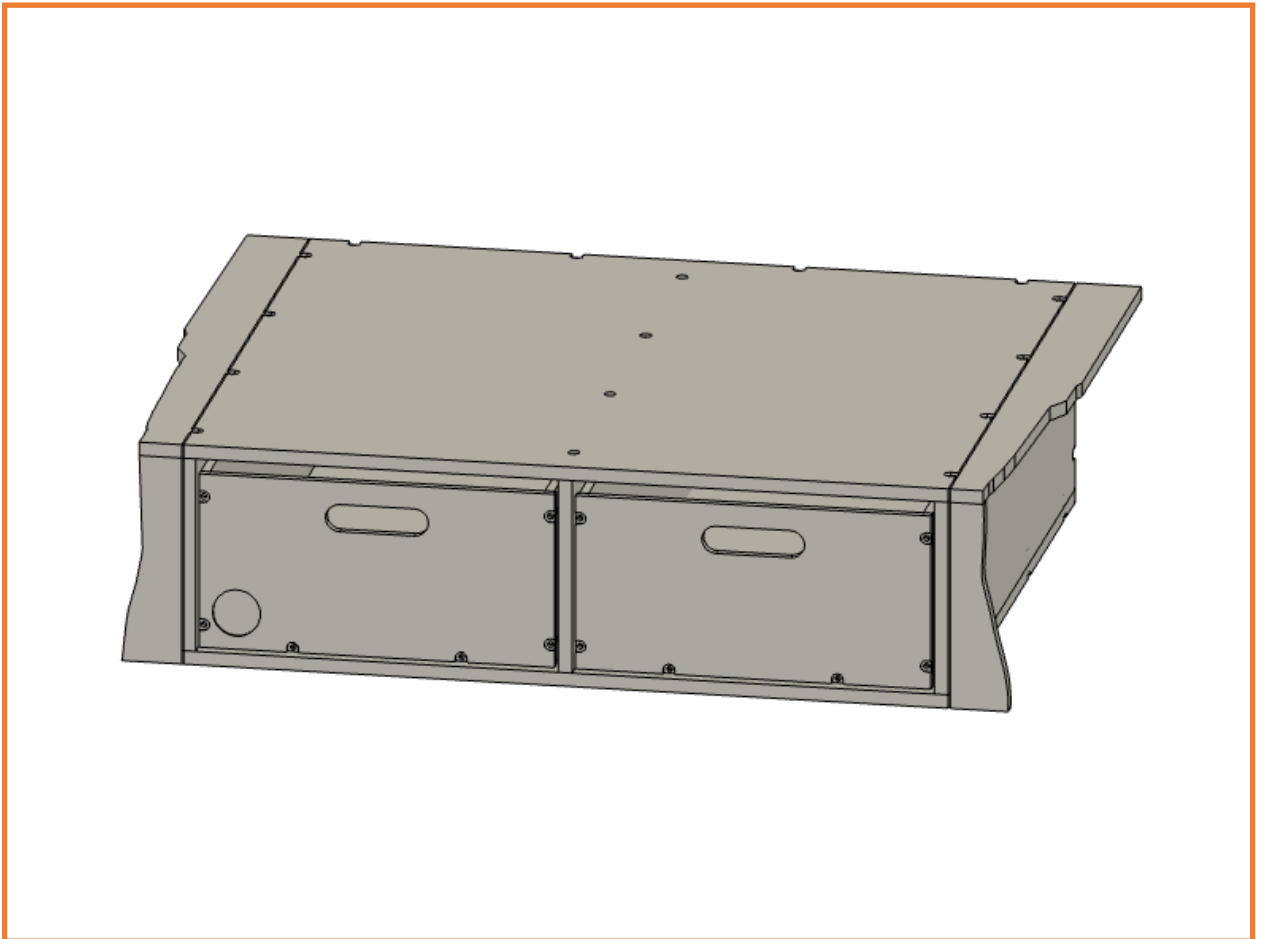
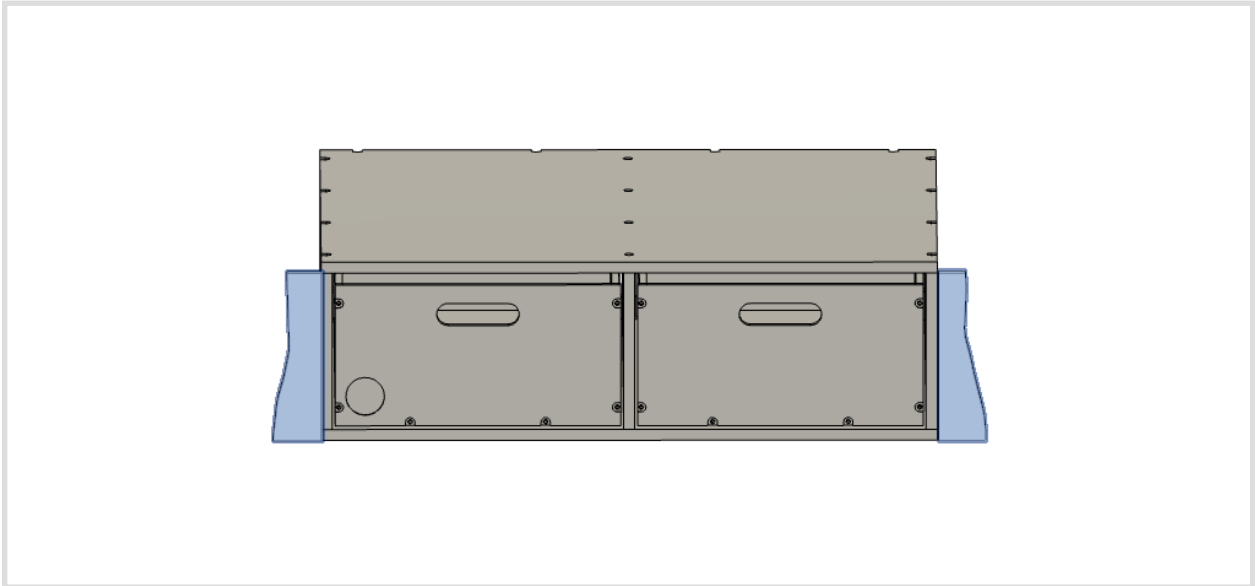


SHW OFFROAD

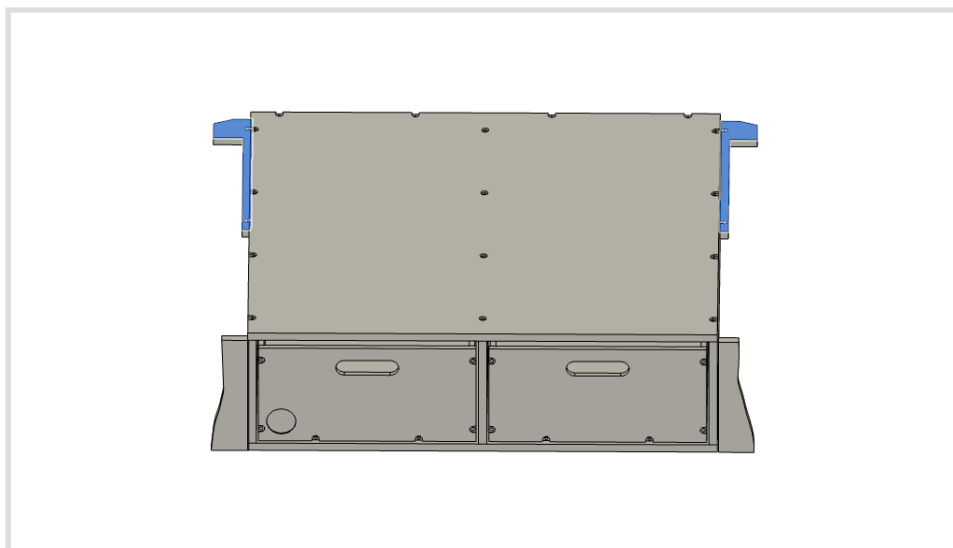
Subaru Outback Install



1. Remove the drawers from the system. Slide the drawer system into the vehicle. Center the drawer system in the vehicle using the wings to position the unit.
2. Install the front filler panels. The holes are predrilled and the fasteners should be threaded loosely into the filler plate upon receipt. You will need a Torx bit and an impact driver.



3. Loop the included blue cargo straps through the factory tie down points and loop back to D-Rings on the side of the drawer system. Tension the straps.
4. Install the wings supports. Use a 5/32" Allen key to drive the machine screws in from the insides of the drawer system. Note: the silver dowels would face down towards the floor of the vehicle.



5. Install the wings and the drawers.