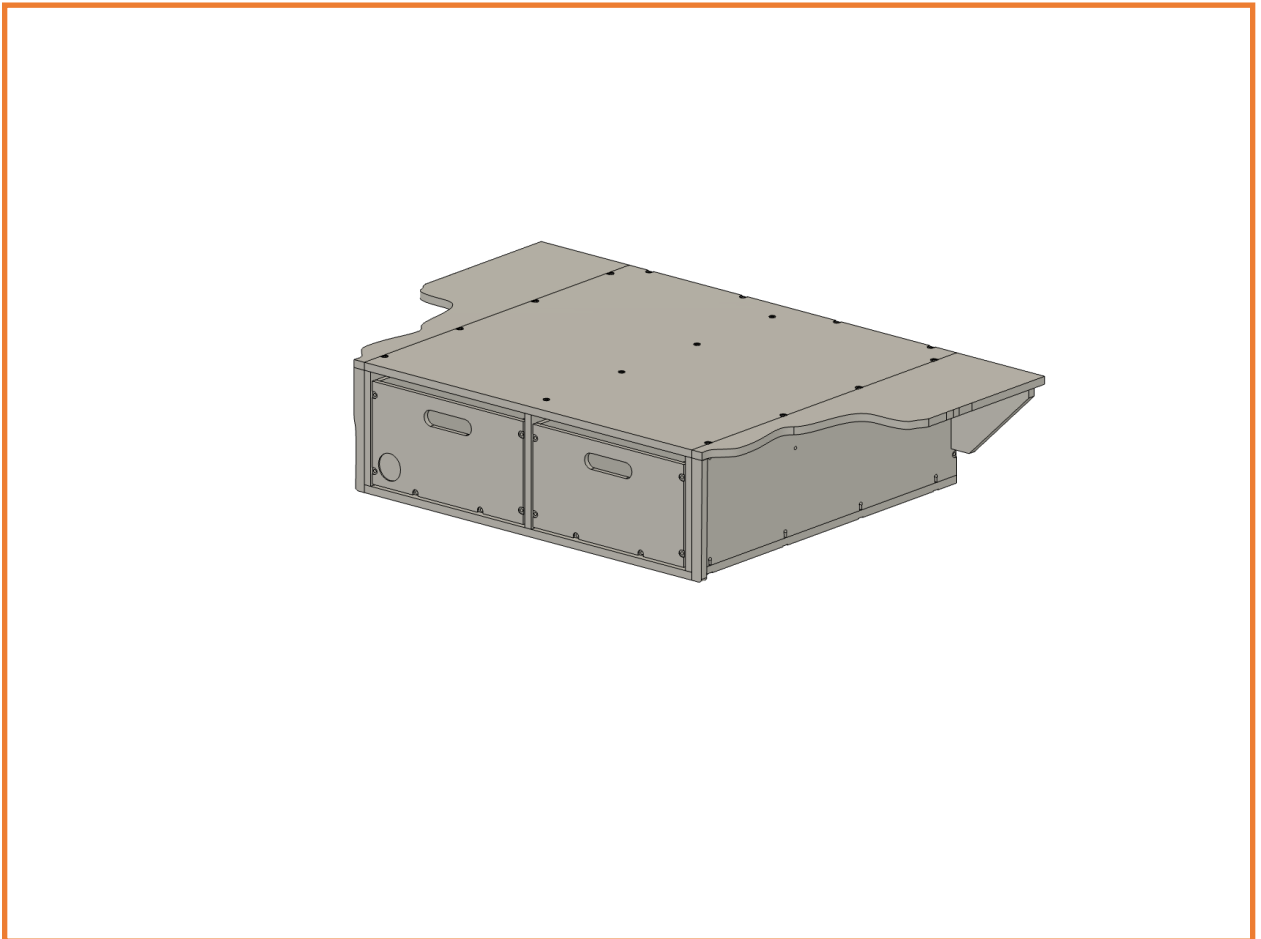
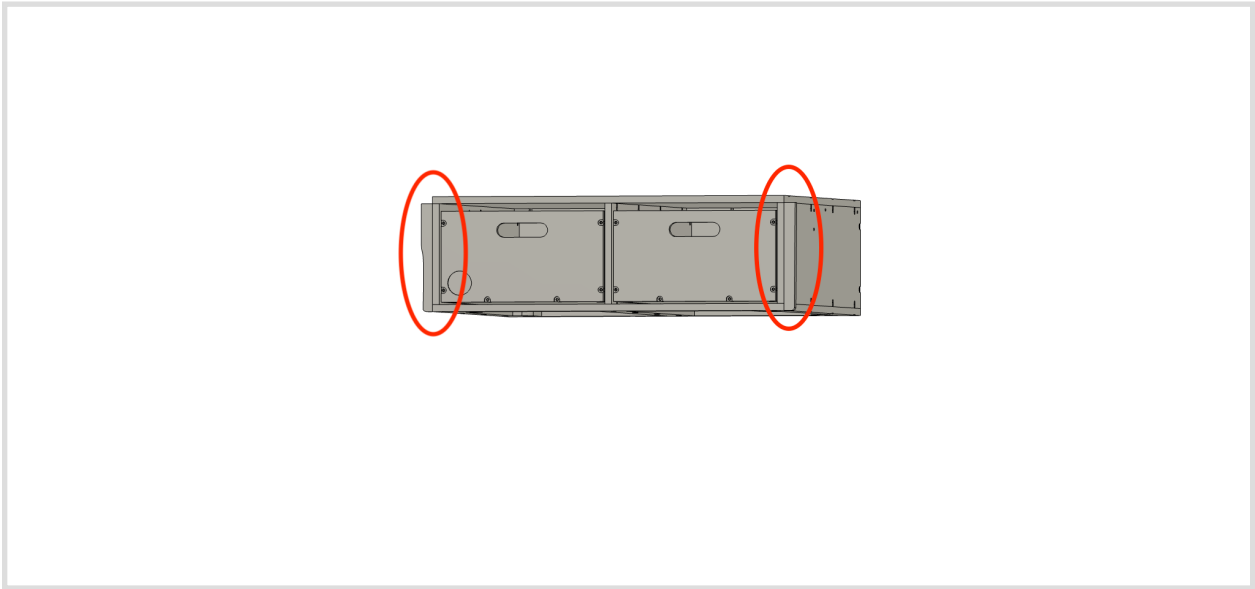


SHW OFFROAD

Jeep Wrangler JK Install



1. Begin by removing the second row seats from the vehicle if equipped.
2. Slide the drawer system into the vehicle. Center the drawer system in the vehicle using the wings to position the unit.
3. Install the front filler panels. The holes are predrilled and the fasteners should be threaded loosely into the filler plate upon receipt. You will need a Torx bit and an impact driver.



4. Line up the front support bar and drive four screws to anchor it to the drawer system.



5. Loop the included blue cargo straps through the seat belt anchor point near the floor of the vehicle and back through the D-Rings on the side of the drawer system. Tension the straps.
6. Loop the remaining two straps through the D-Rings on the back of the drawer system and loop the straps around the front seat brackets at the floor or the second row seat anchor points underneath the drawer system.
7. Install the wings.

