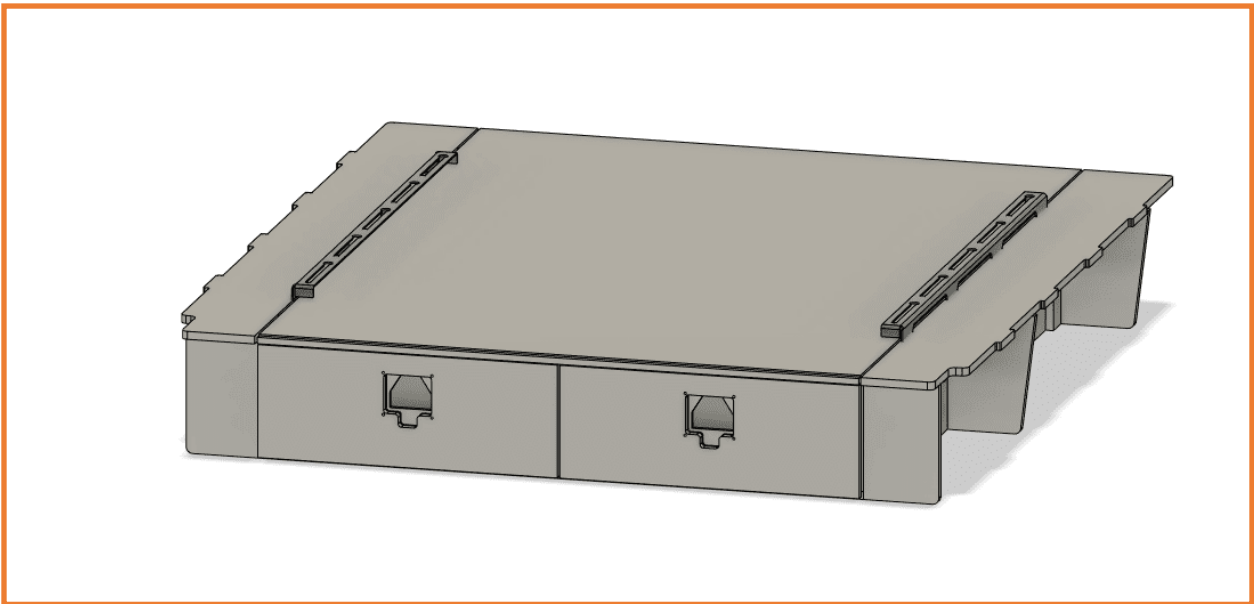
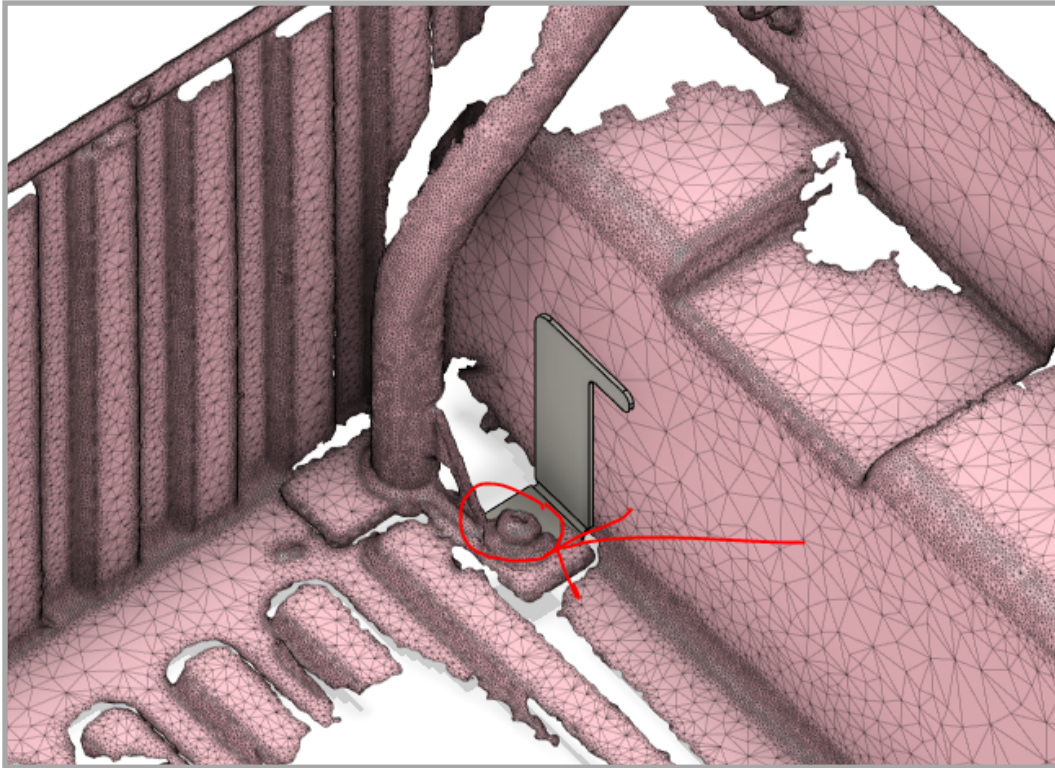


SHW OFFROAD

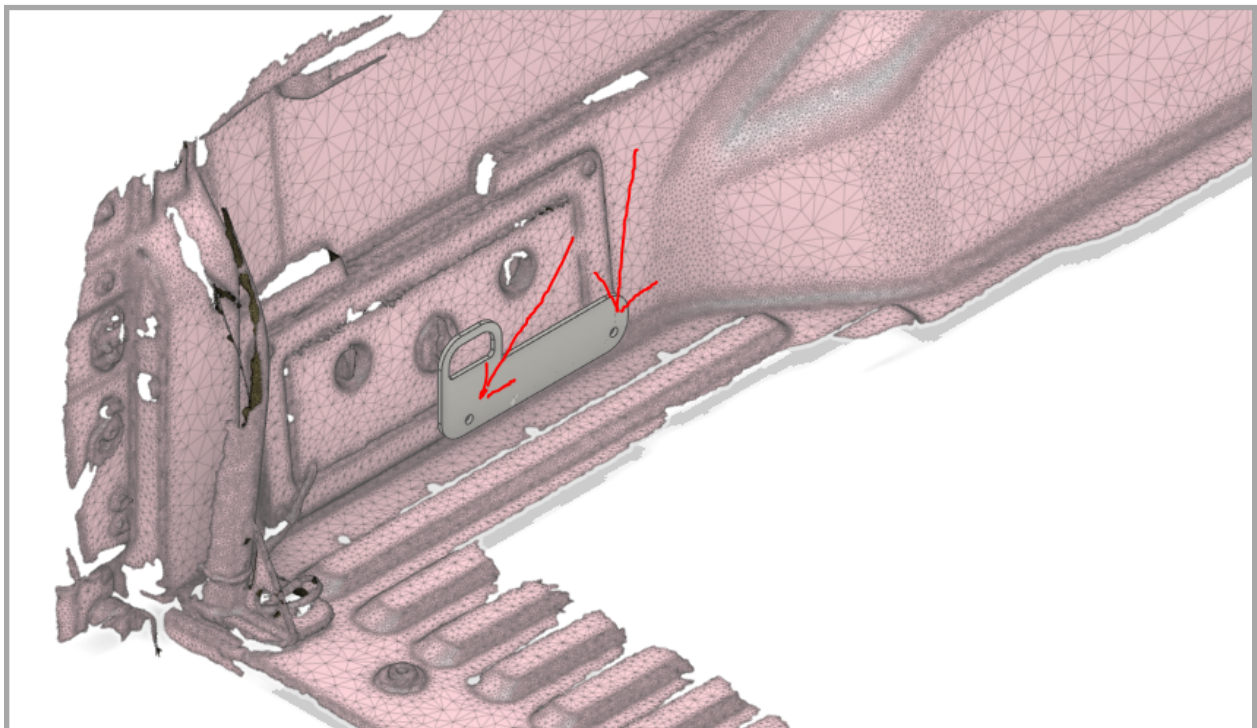
3rd Gen Tacoma Install



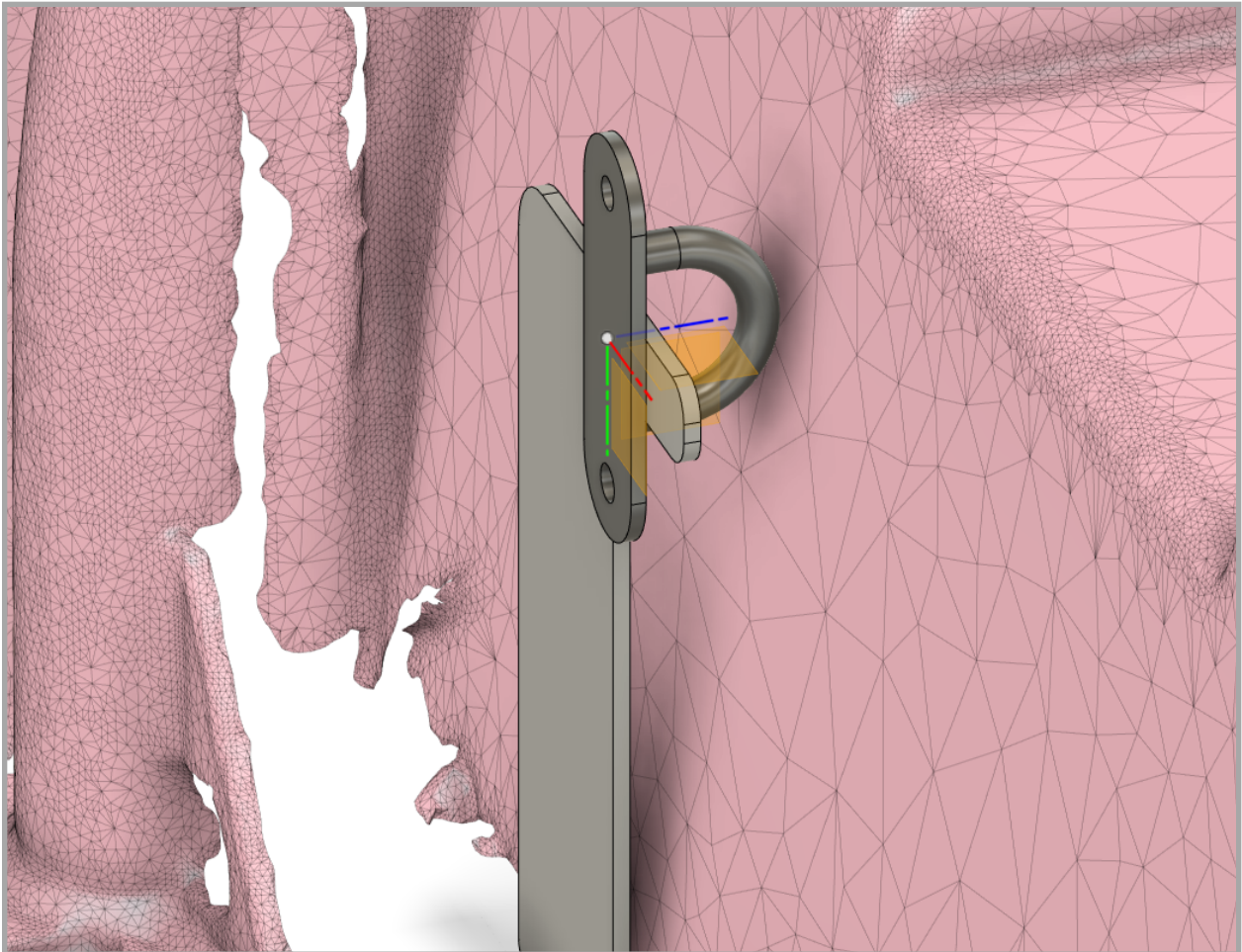
1. Begin by removing the factory bolts on the floor of the bed, on the cab side.



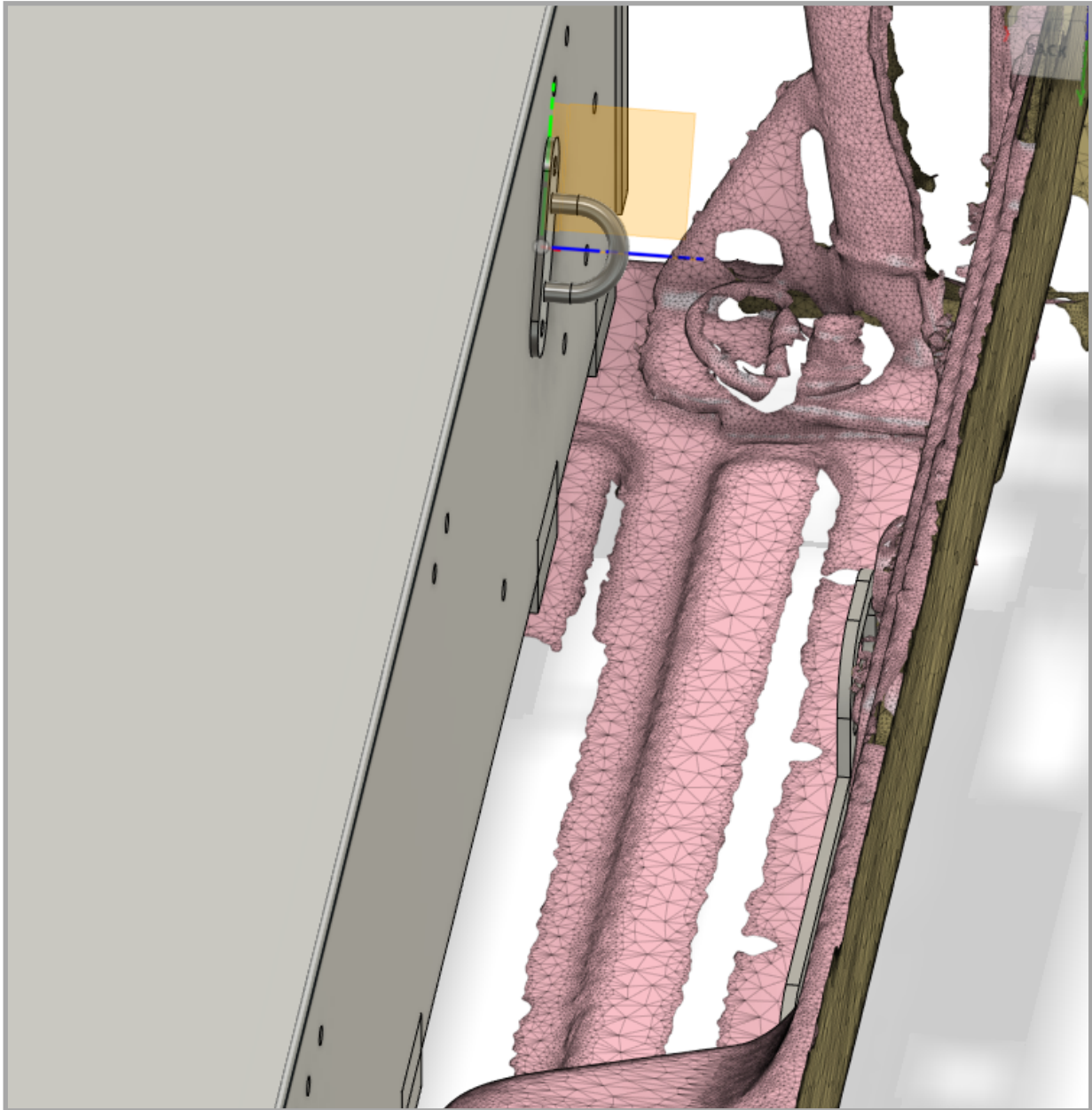
2. Using the bolts you removed, bolt the 2 L brackets provided to the threaded holes (one on each side of the bed, ignore the rack post on the picture above).
3. Remove two bolts on each side of the bed towards the floor, on the tailgate side.



4. Attach the SHW tie down bracket using the two bolts you just removed.
5. Attach the wings to the drawer system using the existing holes and included hardware. Be careful with the screws, they will strip if overtightened. Do not install the wing caps/filler plates yet.
6. Fold the wings in the upright position, and slide the drawer system into the truck. Once the system is in place, lower the wings to check fitment. If system needs to be centered, open one drawer outward to use for leverage to shimmy the drawer system in place.
7. Install wing caps and wing supports once system is centered and in place. The two D-Rings already installed on the drawer will slide into the brackets that were installed on step 2.



8. Use the included turnbuckles to attach the tailgate side D-ring to the bracket that was installed on step 3/4.



9. Enjoy your Drawer System!

As always, call us at 859 749 8588 if you have any questions!